

## Flat roof profile FP

Fixing roofing membrane to all current substructures

Bringing it together.

# Perfect to combine:

## EJOT® flat roof profile FP

With the new metal rail fastening system for mechanical fixing of roofing membranes, almost all application cases are covered.

The flexurally rigid metal section with alu-zinc coating features three different hole diameters. This results in many different fastening possibilities with self-drilling roof screws, classic self-drilling screws, frame anchors and in part also in combination with a special plastic tube washer to reduce thermal bridges.

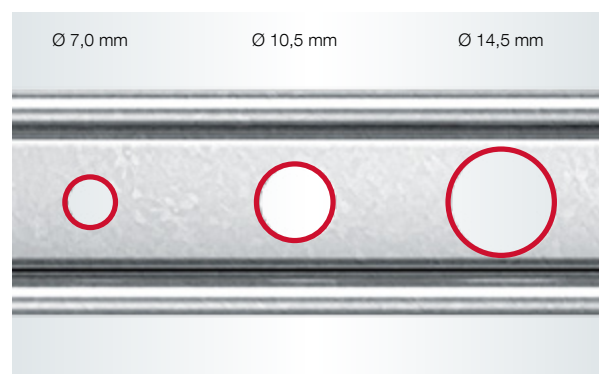
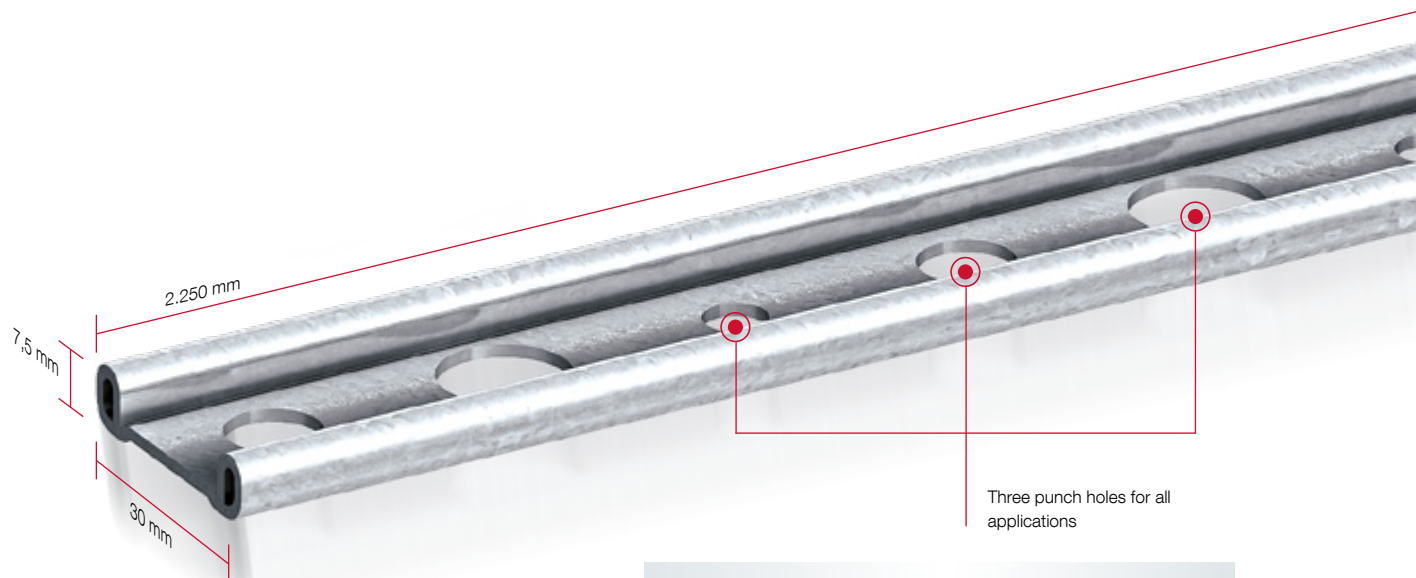
The EJOT metal profile fastening system is the only flat roof rail offering an approved solution for all applications on flat roofs according to ETA-07/0013 and for wall connections according to ETA-10/0305.

### Application range

- > To fix roofing membrane to substructures made of concrete, aerated concrete, steel, trapezoidal aluminium profile, timber and wood-based materials.
- > For structural fastening of the edges
- > For fastening the edges of roofing membrane on wall connections and roof edges

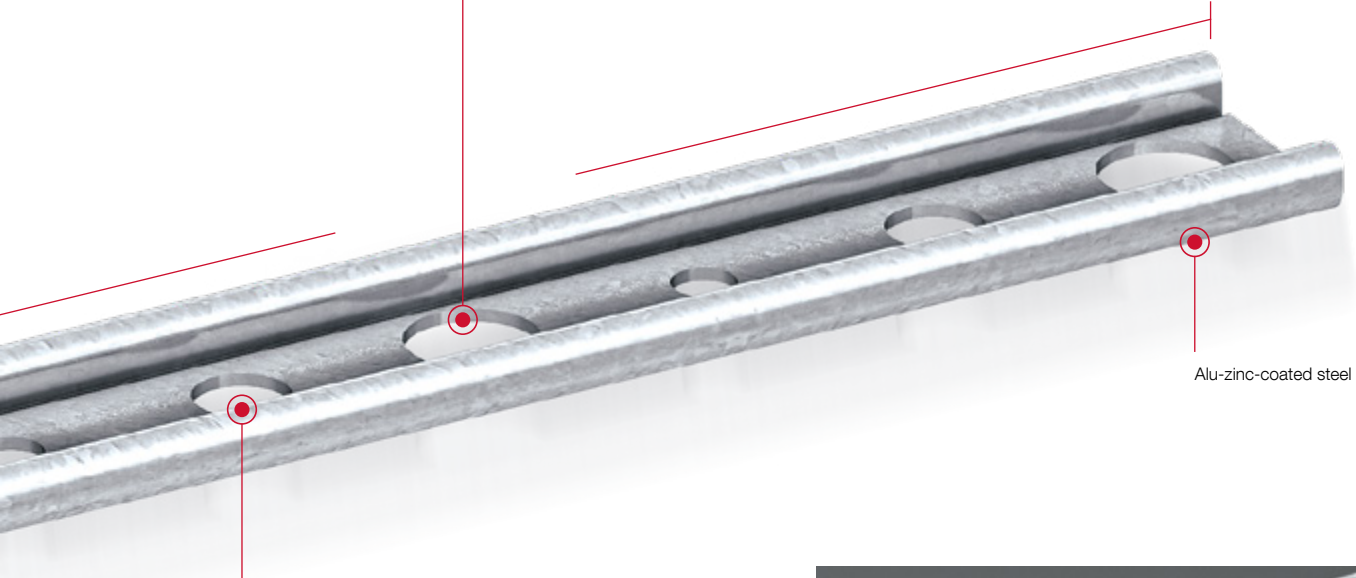
### Properties

- > Alu-zinc-coated steel
- > Metal rail fastening system
- > Easy processing
- > Low weight
- > 3 different hole diameters combined in one profile
- > Total length 2.25 m
- > Flexible application possibilities





For an approved application in the area of wall connections on the roof parapet (concrete and aerated concrete).



Alu-zinc-coated steel

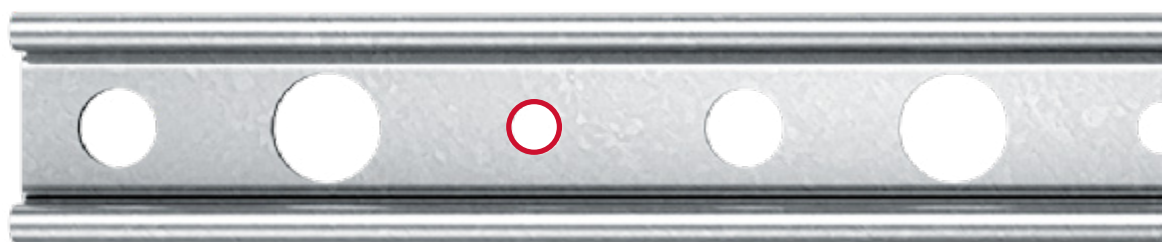
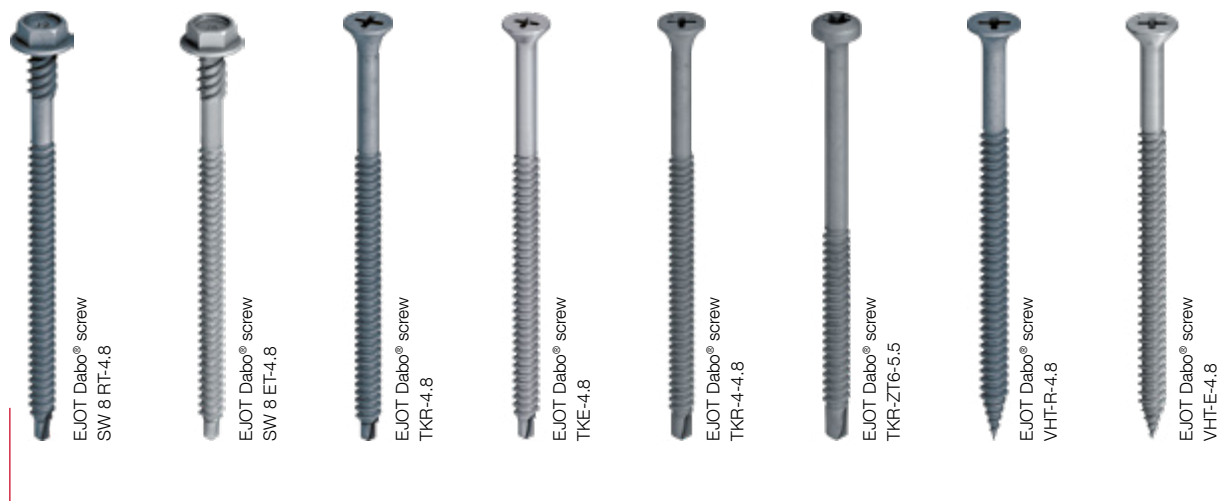
Thermal bridge reducing fixing with plastic tube washer HTK-S



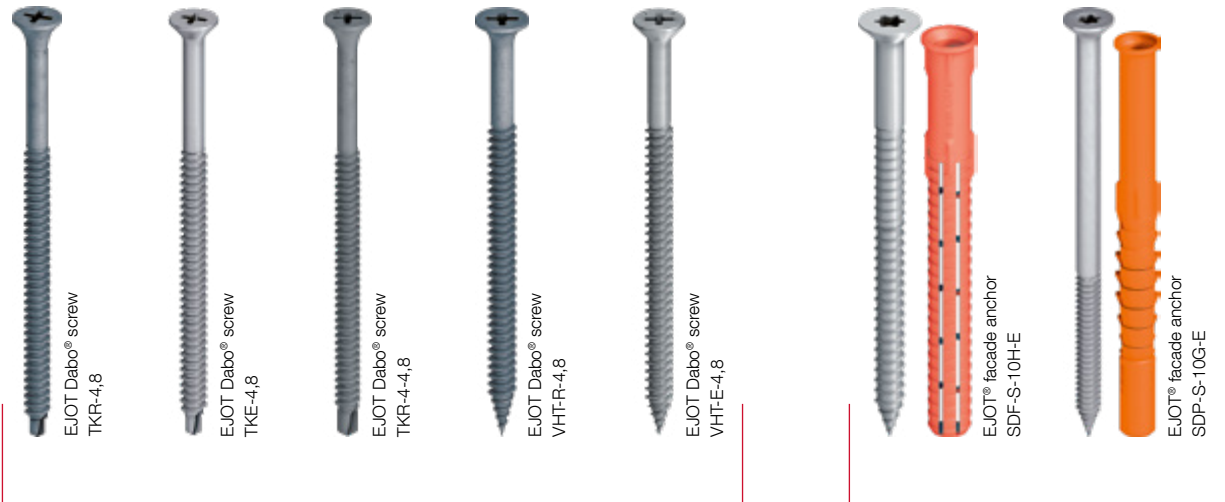
## Compatibility

acc. to ETA-07/0013

You have the choice: Thanks to the three perforations, the new flat roof profile FP can be fixed with a number of different approved EJOT fasteners.



Ø 7,0 mm



Ø 14,5 mm

Ø 10,5 mm

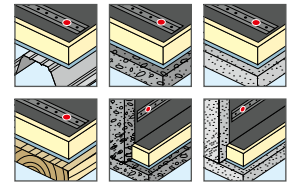
## EJOT® flat roof profile FP



### Application range

- > To fix roofing membrane to substructures made of concrete, aerated concrete, steel, aluminium trapezoidal profile, timber and wood-based materials.
- > For structural fastening of the edges
- > For fastening the edges of roofing membrane on wall connections and roof edges

### Applications



### Cross references

Dabo® SW 8 RT-4.8  
 Dabo® SW 8 ET-4.8  
 Dabo® TKR-4.8  
 Dabo® TKE-4.8  
 Dabo® TKR-4-4.8  
 Dabo® TKR-ZT6-5.5  
 Dabo® VHT-R-4.8  
 Dabo® VHT-E-4.8  
 Self-drilling screw JT2-ST-2-6.0  
 Self-drilling screw JT2-ST-2-6.8  
 Self-drilling screw JT3-ST-2-6.0  
 Concrete screw FBS-R  
 Aerated concrete screw FPS-E  
 Facade anchor SDF-S-10H-E  
 Facade anchor SDP-S-10G-E

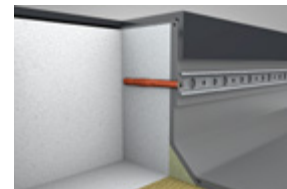
### Properties

- > Alu-zinc coated steel
- > Metal rail fastening system
- > Easy processing
- > Low weight
- > 3 different hole diameters combined in one profile
- > Total length 2.25 m
- > Flexible application possibilities

### Note

For combination with EJOT Dabo® screws, concrete and aerated concrete screws and self-drilling screws. For combination with EJOT facade anchors according to ETA-10/0305.

### Certifications



For an approved application in the area of wall connections on the roof parapet (concrete and aerated concrete)

### Technical data

|                                      |         |
|--------------------------------------|---------|
| Length                               | 2.25 m  |
| Width                                | 30 mm   |
| Height incl. fold edge               | 7.5 mm  |
| Material thickness                   | 1.5 mm  |
| Hole diameter for stress plate HTK-S | 14.5 mm |
| Hole diameter for facade anchors     | 10.5 mm |
| Hole diameter for screws             | 7.0 mm  |

### Buy product online



| Order description    | Length [m] | Width [mm] | PU [m] | Price/m [EUR] | Article number | EAN           |
|----------------------|------------|------------|--------|---------------|----------------|---------------|
| Flat roof profile FP | 2.25       | 30         | 27     |               | 7 999 001 886  | 4061245011653 |

### Compatibility acc. to ETA-07/0013

| Flat roof profile FP | SW 8 RT-4.8 | SW 8 ET-4.8 | TKR-4.8 | TKE-4.8 | TKR-4-4.8 | TKR-ZT6-5.5 | VHT-R-4.8 | VHT-E-4.8 | JT2-ST-2-6.0 | JT2-ST-2-6.8 | JT3-ST-2-6.0 | FBS-R-6.3 | JBS-R-7.5 | FPS-E-8.0 | SDF-S-10H-E | SDP-S-10G-E |
|----------------------|-------------|-------------|---------|---------|-----------|-------------|-----------|-----------|--------------|--------------|--------------|-----------|-----------|-----------|-------------|-------------|
|                      | X           | X           | X       | X       | X         | X           | X         | X         | X            | X            | X            | X         | X         | X         | X           | X           |

## EJOT® stress plate HTK-S



### Application range

- > To fix roofing membranes to substructures made of steel, trapezoidal aluminium profile, timber and wood-based material in combination with the EJOT flat roof profile FP
- > To reduce thermal bridges
- > For special requirements of resistance to imposed loads

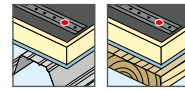
### Properties

- > High-grade plastic material
- > Telescope design for resistance to imposed loads

### Note

For combination with EJOT Dabo® screws

### Applications



### Technical data



### Certifications



Conforms to the requirements according to VOB and the application class K2 according to DIN 18531 regarding the corrosion resistance

### Cross references

Dabo® TKR-4.8  
 Dabo® TKE-4.8  
 Dabo® TKR-4-4.8  
 Dabo® VHT-R-4.8  
 Dabo® VHT-E-4.8  
 Bit extension with spring pin  
 Hip belt flat roof

### Buy product online



| Order description | Plate diameter [mm] | Effective shaft length L [mm] | PU [pieces] | Price/100 [EUR] | Article number | EAN           |
|-------------------|---------------------|-------------------------------|-------------|-----------------|----------------|---------------|
| HTK-S-20x90       | 20                  | 90                            | 150         |                 | 8 598 090 010  | 4061245011110 |
| HTK-S-20x140      | 20                  | 140                           | 150         |                 | 8 598 140 010  | 4061245011103 |

### Compatibility acc. to ETA-07/0013

| HTK-S | SW 8 RT-4.8 | SW 8 ET-4.8 | TKR-4.8 | TKE-4.8 | TKR-4-4.8 | TKR-ZT6-5.5 | VHT-R-4.8 | VHT-E-4.8 | JT2-ST-2-6.0 | JT2-ST-2-6.8 | JT3-ST-2-6.0 | FBS-R-6.3 | JBS-R-7.5 | FPS-E-8.0 | SDP-S-10H-E | SDP-S-10G-E |
|-------|-------------|-------------|---------|---------|-----------|-------------|-----------|-----------|--------------|--------------|--------------|-----------|-----------|-----------|-------------|-------------|
|       |             |             | X       | X       | X         |             | X         | X         |              |              |              |           |           |           |             |             |



**EJOT SE & Co. KG**

**Market Unit Construction**

In der Stockwiese 35

57334 Bad Laasphe

T +49 2752 908-0

F +49 2752 908-731

[bau@ejot.com](mailto:bau@ejot.com)

[www.ejot.com](http://www.ejot.com)